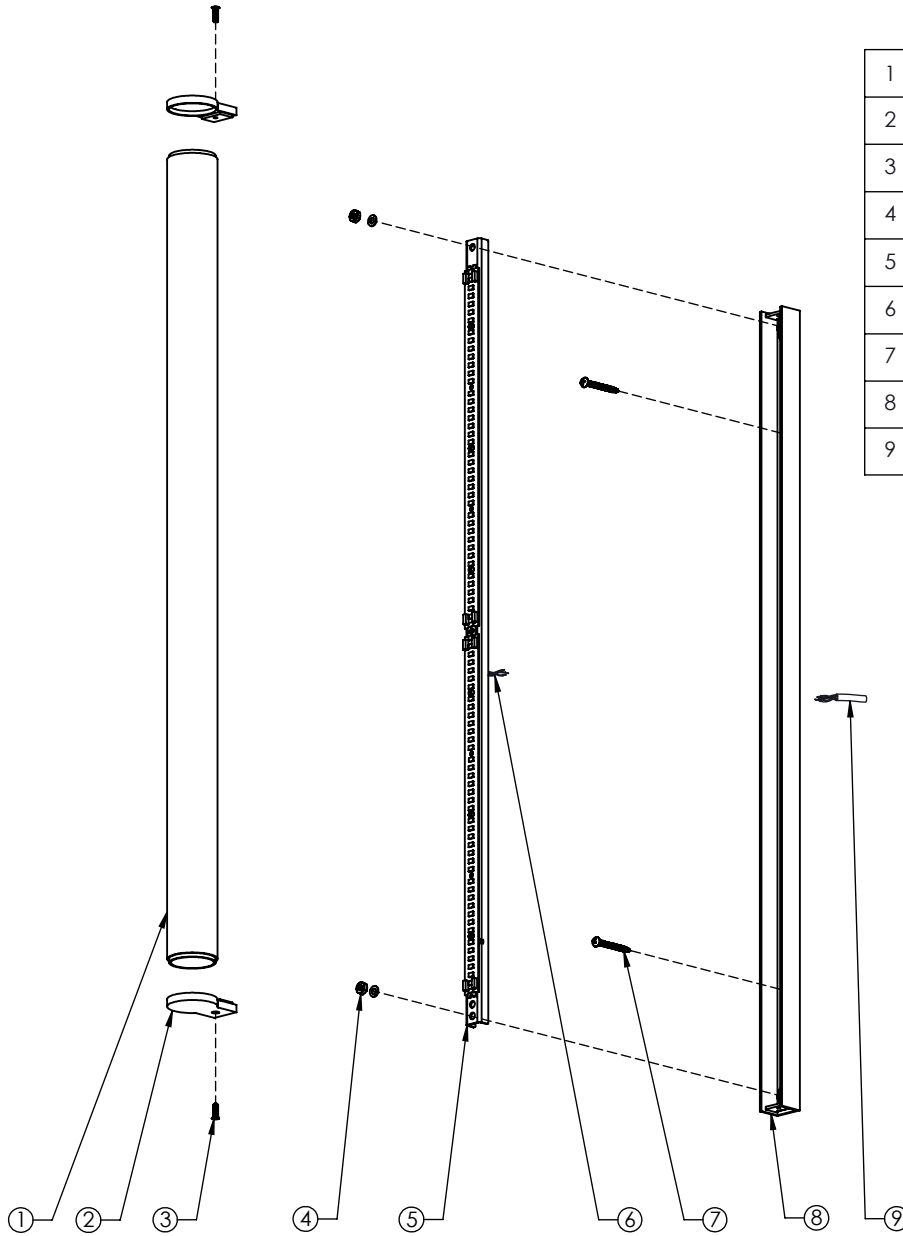
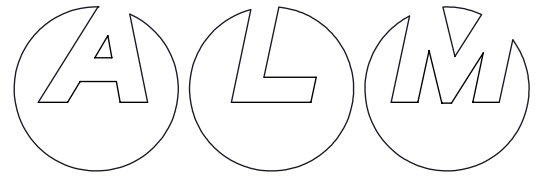


# Delta 40

SURFACE

## INSTALLATION INSTRUCTIONS



1	Diffuser
2	End cap (x2)
3	End cap mounting screw (x2)
4	Light body assembly mounting nut and washer
5	Light body assembly
6	Fixture power wires
7	Mounting hardware (provided)
8	Fixture housing
9	Power feed (by others)

### INSTRUCTIONS:

1. Unscrew end cap mounting screws and remove end caps and diffuser from the fixture housing.
2. Unscrew light body assembly mounting nuts and remove light body assembly from the fixture housing.
3. Bring the electrical power feed through the hole in fixture housing and secure fixture housing to the ceiling / wall using hardware provided.
4. Bring light body assembly to the location, splice the fixture wires and power feed as required and secure light body assembly to the fixture housing using nuts provided.  
Wires for connection are clearly labeled.
5. Bring end caps and diffuser to the location and secure with mounting screws provided.
6. Energize.

### GENERAL NOTE:

- \* Turn power off before beginning.
- \* Do not connect to an ungrounded supply.
- \* Consult a qualified electrician to ensure correct branch circuit conductor.
- \* This product must be installed in accordance with the applicable installation code by a person familiar with the construction and operation of the product and the hazards involved.
- \* Save these instructions.